

## PA500U/PA500X/PA550W/PA600X Installation Guide

### Desktop and Ceiling Mount

Rev 1.7

### Contents

Product Description, Lens Specs, Screen/Aspect Ratio	
Notes and Formulas	Pg 1
Distance Charts and Formulas	Pg 2-4
Ceiling Mount/Desktop Installation	Pg 5
Lens Shift Adjustable Range	Pg 6
Cabinet Dimensions	Pg 7
Cabinet Dimensions	Pg 8
Cabinet Dimensions (Terminal Cover)	Pg 9
Lens Dimensions (Optional)	Pg 10-11
Ceiling Mount Dimensions and Input Panel	Pg 12
Control Codes	Pg 13



### Product Description

<b>Type:</b>	3 panel LCD projector, 0.79 p-Si TFT w/MLA (PA500X/PA600X) 0.75 p-Si TFT w/MLA (PA550W) 0.76 p-Si TFT w/MLA (PA500U)	<b>Dimensions:</b> 19.7"(W) x 6.5"(H) x 14.4"(D)
<b>Resolution:</b>	1024 x 768 (4:3) 1920 x 1200 (16:10)	<b>Weight:</b> PA500X/550W/600X: 17.0 lbs PA500U: 17.2 lbs.
<b>Fan Noise:</b>	PA500X: 38 dB / 31dB @ 1 meter PA500U: 38 dB / 32dB @ 1 meter PA550W: 38 dB / 31dB @ 1 meter PA600X: 38 dB / 31dB @ 1 meter	<b>Brightness:</b> PA500X: 5000 Lumens PA500U: 5000 Lumens PA550W: 5500 Lumens PA600X: 6000 Lumens
<b>Power Consumption:</b>	PA500X/PA550W: 464W (max) PA600X: 464W (max) PA500U: 477W (max)	<b>BTU's:</b> PA500X/PA550W: 1583 BTU/hour PA600X: 1583 BTU/hour PA500U: 1628 BTU/hour

Network Ready, integrated wired and wireless adapter  
Manual: Lens Shift, Horizontal & Vertical /Zoom/ Focus

### Lens Specifications

<b>NP11FL:</b> Throw Ratio: ~ 0.8:1 Screen Sizes: 60"-150"	Focal Length: 13.2mm F#:2.3	<b>NP14ZL:</b> Throw Ratio: 2.97 -4.79:1 Screen Sizes: 60" - 200"	Focal Length: 48.5 - 77.6mm F#:2.2
<b>NP12ZL:</b> Throw Ratio: 1.19 - 1.56:1 Screen Sizes: 40" - 200"	Focal Length: 19.4 – 25.3mm F#:2.2	<b>NP15ZL:</b> Throw Ratio: 4.70 - 7.02:1 Screen Sizes: 80" - 200"	Focal Length: 76.6 - 116.5mm F#:2.2
<b>NP13ZL:</b> Throw Ratio: 1.50 - 3.02:1 Screen Sizes: 40" - 200"	Focal Length: 24.4 – 48.6mm F#:1.7		

### Screen/Aspect Ratio

**4:3, 16:9 and 16:10 screens are fully supported** with proper aspect ratio control for both type sources using NEC developed scaling technology. Menu selections have settings for each screen type and aspect ratio control for each source type.

### Notes

- For screen sizes not indicated on the projection tables, use the formulas below.  
If the figures on the tables do not match the results of formulas, use the figures in the table..
- Distances are in inches, for millimeters multiply by 25.4.
- Distances may vary ±5%.

## PA500U/PA500X/PA550W/PA600X Installation Guide

### Desktop and Ceiling Mount

Rev 1.7

#### Formulas: 4:3 Aspect Ratio (PA500X/PA600X—XGA)

The Projection Formulas use the image width for calculation. Image width is the same for all aspect ratios, only vertical image size varies. For proper projector placement, determine the image width for a desired screen size. Use the Screen Formulas below to calculate all screen dimensions. Plug in the image width for “W” in the Projection Formulas.

Refer to the diagrams and charts for popular screen sizes on page 2 and 3:

#### Projection Formulas:

- NP11FL: C = 0.827W – 1.374
- NP12ZL: C(Wide) = 1.214W – 1.794 ----- C(Tele) = 1.578W – 1.794
- NP13ZL: C(Wide) = 1.524W – 1.974 ----- C(Tele) = 3.043W – 1.972
- NP14ZL: C(Wide) = 3.034W – 4.844 ----- C(Tele) = 4.855W – 4.844
- NP15ZL: C(Wide) = 4.797W – 7.630 ----- C(Tele) = 7.291W – 7.630

#### Definitions:

- W = Image Width
- H = Image Height (size)
- C = Throw distance

#### 4:3 Screen Formulas:

- W = H x 4/3
- H = W x 3/4
- Diagonal = W x 5/4

**Note:** Tilting the front of the projector up or down by more than 45° from level could reduce lamp life by up to 20%.

#### Distance Chart for popular 4:3 screens

Screen Size (4:3)			Rear Lens	Zoom Lenses				
Diagonal	Width(W)	Height (H)	NP11FL	NP12ZL	NP13ZL	NP14ZL	NP15ZL	
inches	inches	inches	0.8:1	1.19 - 1.56:1	1.50 - 3.02:1	2.97 - 4.79:1	4.70 - 7.20:1	
			inches	inches	inches	inches	inches	
40	32	24	25.09	37.05 - 48.7	46.8 - 95.40	92.2 - 150.5	NA	
60	48	36	38.32	56.48 - 74.0	71.2 - 144.09	140.8 - 228.2	222.5 - 342.3	
67	53.6	40.2	42.95	63.28 - 82.8	79.7 - 161.13	157.8 - 255.4	249.4 - 383.2	
72	57.6	43.2	46.26	68.13 - 89.1	85.8 - 173.30	169.9 - 274.8	268.5 - 412.3	
84	67.2	50.4	54.20	79.79 - 104.2	100.4 - 202.52	199.0 - 321.4	314.6 - 482.3	
90	72	54	58.17	85.61 - 111.8	107.8 - 217.12	213.6 - 344.7	337.6 - 517.3	
100	80	60	64.79	95.33 - 124.4	119.9 - 241.47	237.9 - 383.6	376.0 - 575.7	
120	96	72	78.02	114.75 - 149.7	144.3 - 290.16	286.4 - 461.2	452.7 - 692.3	
150	120	90	97.87	143.89 - 187.6	180.9 - 363.19	359.2 - 577.8	567.9 - 867.3	
180	144	108	NA	173.02 - 225.4	217.5 - 436.22	432.1 - 694.3	683.0 - 1042.3	
210	168	126	NA	202.16 - 263.3	254.1 - 509.25	504.9 - 810.8	798.1 - 1217.3	
240	192	144	NA	231.29 - 301.2	290.6 - 582.28	577.7 - 927.3	913.3 - 1392.2	
270	216	162	NA	260.43 - 339.1	327.2 - 655.32	650.5 - 1043.8	1028.4 - 1567.2	
300	240	180	NA	289.57 - 376.9	363.8 - 728.35	723.3 - 1160.4	1143.5 - 1742.2	
400	320	240	NA	386.69 - 503.2	485.7 - 971.79	966.0 - 1548.8	1527.3 - 2325.5	
500	400	300	NA	483.81 - 629.4	607.6 - 1215.23	1208.8 - 1937.2	1911.0 - 2908.8	

## PA500U/PA500X/PA550W/PA600X Installation Guide

Desktop and Ceiling Mount

Rev 1.7

### Formulas: 16:10 Aspect Ratio (PA550W—WXGA)

The Projection Formulas use the image width for calculation. Image width is the same for all aspect ratios, only vertical image size varies. For proper projector placement, determine the image width for a desired screen size. Use the Screen Formulas below to calculate all screen dimensions. Plug in the image width for "W" in the Projection Formulas.

Refer to the diagrams and charts for popular screen sizes on page 2 and 3:

#### Projection Formulas:

<b>NP11FL:</b>	<b>C</b> = 0.819W – 1.354	
<b>NP12ZL:</b>	<b>C(Wide)</b> = 1.203W – 1.794	<b>C(Tele)</b> = 1.564W – 1.794
<b>NP13ZL:</b>	<b>C(Wide)</b> = 1.510W – 1.974	<b>C(Tele)</b> = 3.014W – 1.972
<b>NP14ZL:</b>	<b>C(Wide)</b> = 3.005W – 4.844	<b>C(Tele)</b> = 4.808W – 4.844
<b>NP15ZL:</b>	<b>C(Wide)</b> = 4.751W – 7.630	<b>C(Tele)</b> = 7.221W – 7.630

#### Definitions:

W = Image Width
H = Image Height (size)
C = Throw distance

#### 16:10 Screen Formulas

W = H x 16/10
H = W x 10/16
Screen Diagonal = W x 18.868/16

### Distance Chart for popular 16:10 Screens (WXGA)

Screen Size (16:10)			Rear Lens	Zoom Lenses							
			NP11FL	NP12ZL		NP13ZL		NP14ZL		NP15ZL	
Diagonal	Width(W)	Height (H)	0.8:1	1.19 - 1.56:1		1.50 - 3.02:1		2.97 - 4.79:1		4.70 - 7.20:1	
inches	inches	inches	inches	inches		inches		inches		inches	
40	34	21	26.49	39.1	51.4	49.4	100.5	N/A	N/A	N/A	N/A
60	51	32	40.42	59.6	78.0	75.0	151.7	148.4	240.4	234.7	360.6
67	57	36	45.33	66.8	87.4	84.1	169.8	166.4	269.2	263.2	404.0
72	61	38	48.61	71.6	93.6	90.1	181.9	178.5	288.4	282.2	432.9
84	71	45	56.80	83.6	109.3	105.2	212.0	208.5	336.5	329.7	505.1
90	76	48	60.89	89.6	117.1	112.8	227.1	223.5	360.6	353.4	541.2
100	85	53	68.26	100.5	131.1	126.4	254.2	250.6	403.8	396.2	606.2
120	102	64	82.18	120.9	157.7	152.0	305.5	301.7	485.6	477.0	728.9
150	127	79	102.66	151.0	196.8	189.8	380.8	376.8	605.8	595.7	909.4
180	153	95	NA	182.3	237.5	229.1	459.2	454.9	730.8	719.3	1097.2
210	178	111	NA	212.3	276.6	266.8	534.5	530.0	851.0	838.0	1277.7
240	204	127	NA	243.6	317.3	306.1	612.9	608.2	976.0	961.6	1465.5
270	229	143	NA	273.7	356.4	343.8	688.2	683.3	1096.2	1080.3	1646.0
300	254	159	NA	303.8	395.5	381.6	763.6	758.4	1216.4	1199.1	1826.5
400	339	212	NA	406.0	528.4	509.9	1019.8	1013.9	1625.1	1603.0	2440.3
500	424	265	NA	508.3	661.3	638.3	1276.0	1269.3	2033.7	2006.8	3054.1

## PA500U/PA500X/PA550W/PA600X Installation Guide

Desktop and Ceiling Mount

Rev 1.7

### Formulas: 16:10 Aspect Ratio (PA500U—WUXGA)

The Projection Formulas use the image width for calculation. Image width is the same for all aspect ratios, only vertical image size varies. For proper projector placement, determine the image width for a desired screen size. Use the Screen Formulas below to calculate all screen dimensions. Plug in the image width for “W” in the Projection Formulas.

Refer to the diagrams and charts for popular screen sizes on page 2 and 3:

#### Projection Formulas:

- NP11FL: C = 0.807W – 1.354
- NP12ZL: C(Wide) = 1.185W – 1.794 ----- C(Tele) = 1.541W – 1.794
- NP13ZL: C(Wide) = 1.488W – 1.974 ----- C(Tele) = 2.970W – 1.972
- NP14ZL: C(Wide) = 2.961W – 4.844 ----- C(Tele) = 4.737W – 4.844
- NP15ZL: C(Wide) = 4.681W – 7.630 ----- C(Tele) = 7.115W – 7.630

#### Definitions:

- W = Image Width
- H = Image Height (size)
- C = Throw distance

#### 16:10 Screen Formulas

- W = H x 16/10
- H = W x 10/16
- Screen Diagonal = W x 18.868/16

### Distance Chart for popular 16:10 Screens (WUXGA)

Screen Size (16:10)			Rear Lens	Zoom Lenses							
			NP11FL	NP12ZL		NP13ZL		NP14ZL		NP15ZL	
Diagonal	Width(W)	Height (H)	0.8:1	1.19 - 1.56:1		1.50 - 3.02:1		2.97 -4.79:1		4.70 - 7.20:1	
inches	inches	inches	inches	inches		inches		inches		inches	
40	34	21	26.08	38.5	50.6	48.6	99.0	N/A	N/A	N/A	N/A
60	51	32	39.80	58.6	76.8	73.9	149.5	146.2	236.7	231.1	360.6
67	57	36	44.65	65.8	86.0	82.8	167.3	163.9	265.2	259.2	404.0
72	61	38	47.87	70.5	92.2	88.8	179.2	175.8	284.1	277.9	432.9
84	71	45	55.94	82.3	107.6	103.7	208.9	205.4	331.5	324.7	505.1
90	76	48	59.98	88.3	115.3	111.1	223.7	220.2	355.2	348.1	541.2
100	85	53	67.24	98.9	129.2	124.5	250.5	246.8	397.8	390.3	606.2
120	102	64	80.96	119.1	155.4	149.8	301.0	297.2	478.3	469.8	728.9
150	127	79	101.14	148.7	193.9	187.0	375.2	371.2	596.8	586.9	909.4
180	153	95	NA	179.5	234.0	225.7	452.4	448.2	719.9	708.6	1097.2
210	178	111	NA	209.1	272.5	262.9	526.7	522.2	838.3	825.6	1277.7
240	204	127	NA	239.9	312.6	301.6	603.9	599.2	961.5	947.3	1465.5
270	229	143	NA	269.6	351.1	338.8	678.2	673.2	1079.9	1064.3	1646.0
300	254	159	NA	299.2	389.6	376.0	752.4	747.3	1198.4	1181.3	1826.5
400	339	212	NA	399.9	520.6	502.5	1004.9	998.9	1601.0	1579.2	2440.3
500	424	265	NA	500.6	651.6	628.9	1257.3	1250.6	2003.6	1977.1	3054.1

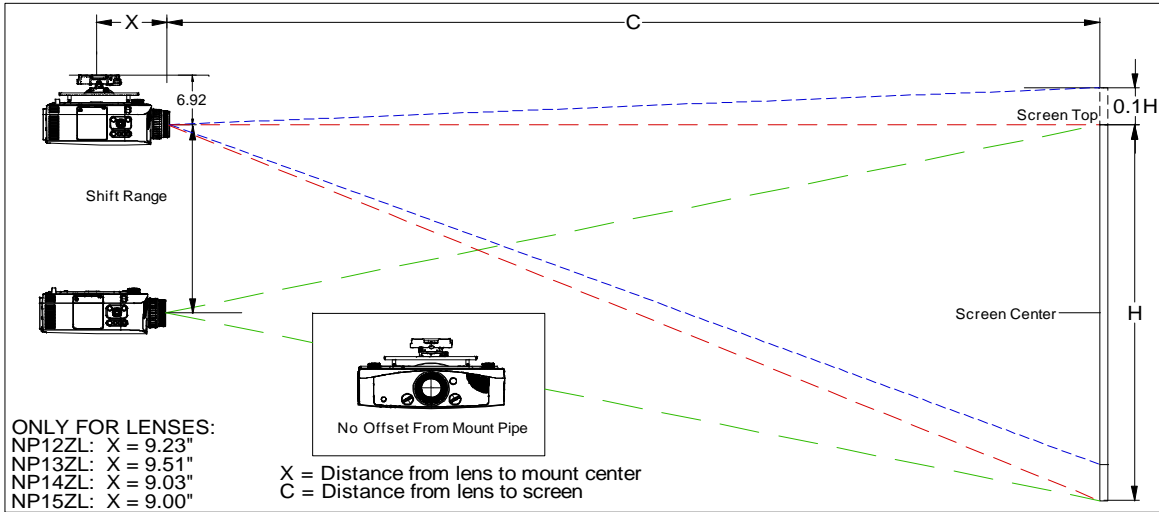
Note: For screen sizes not indicated in projection tables, refer to formulas above respective charts.

## PA500U/PA500X/PA550W/PA600X Installation Guide

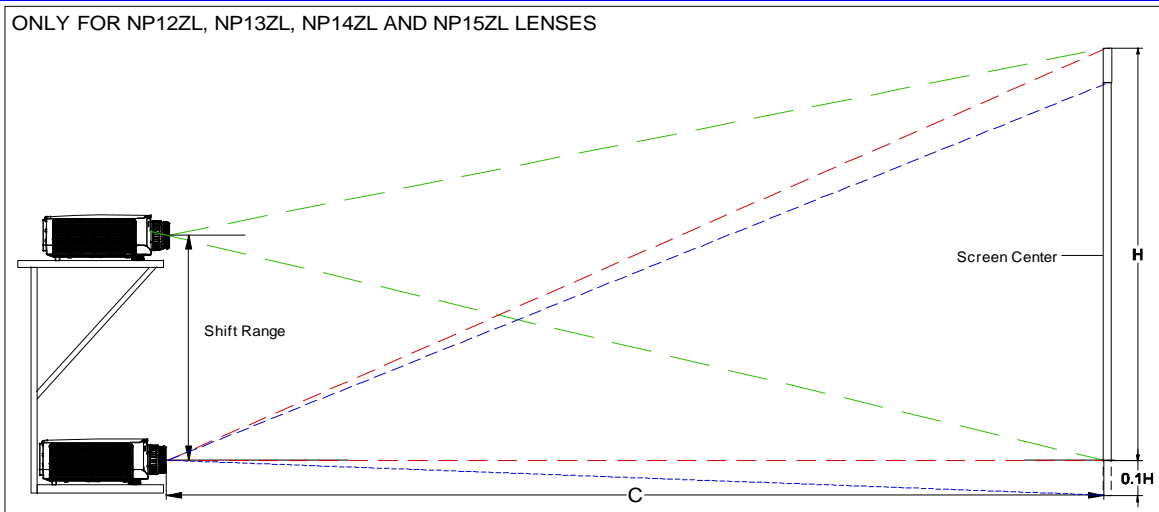
Desktop and Ceiling Mount

Rev 1.7

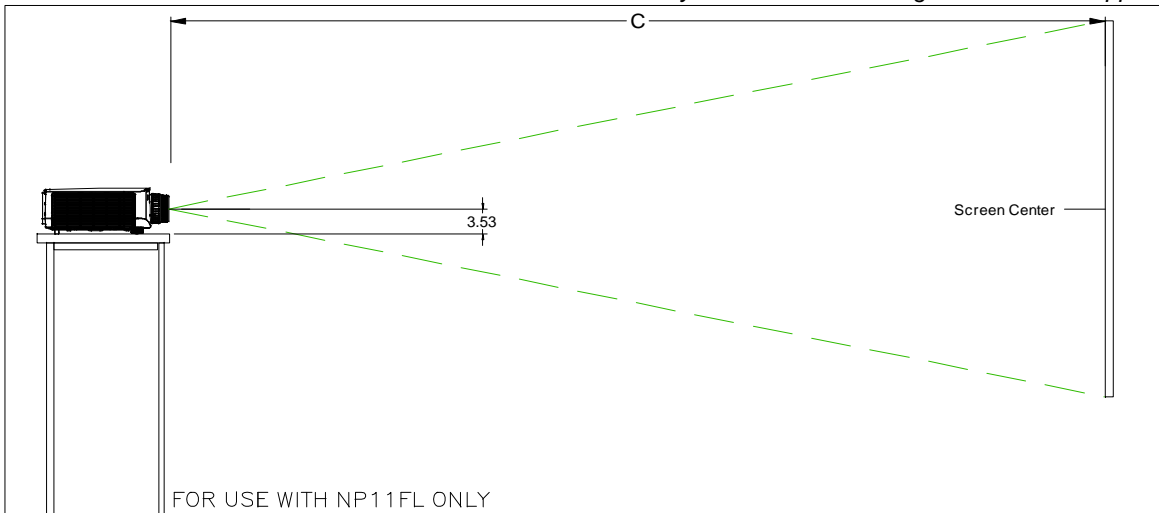
### Ceiling Mount Installation



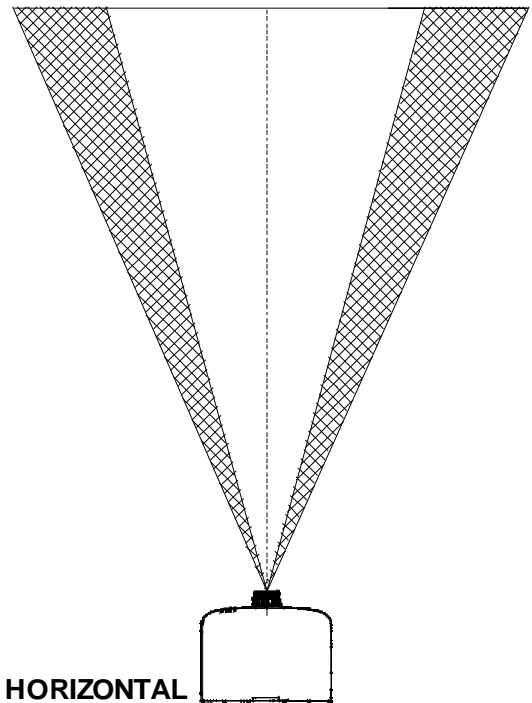
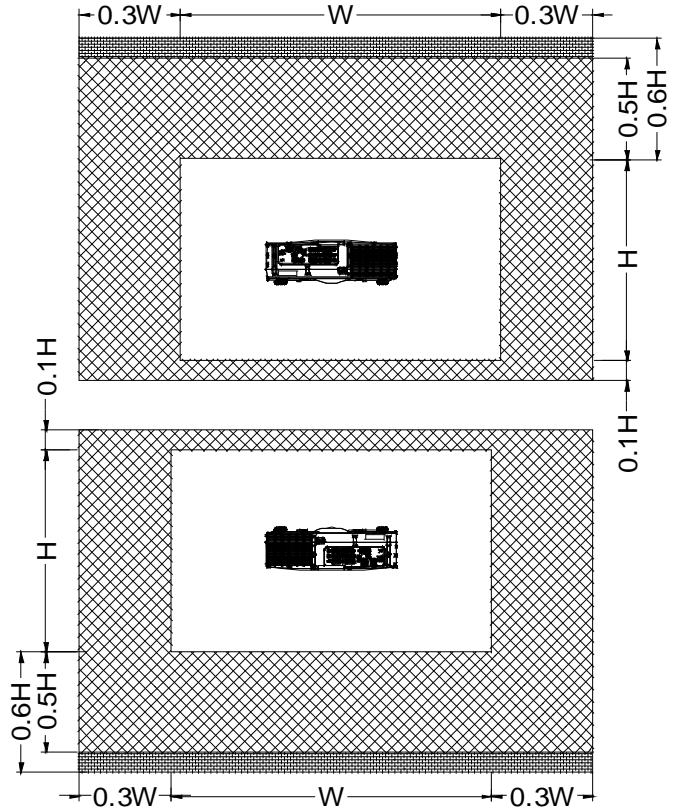
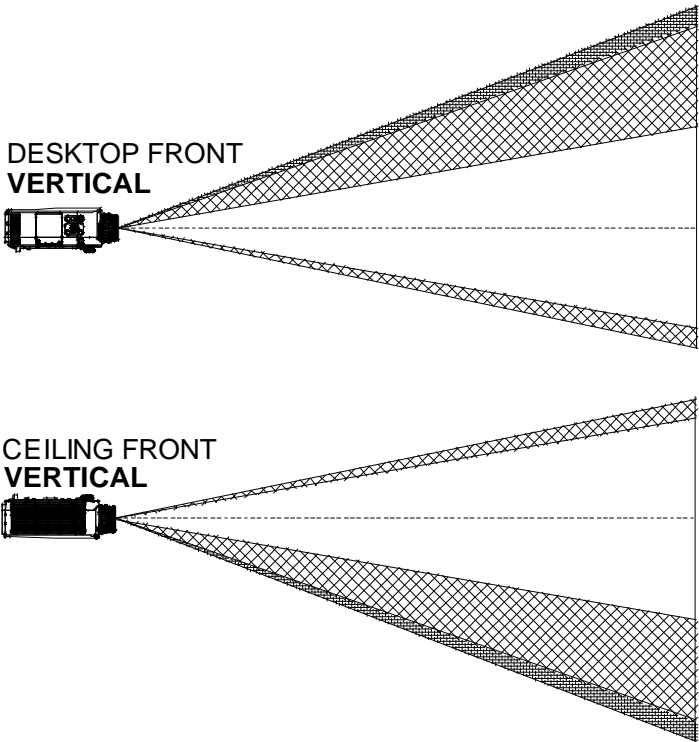
### Desktop Installation



**Note:** Lens Shift Feature is not available to NP11FL. This lens should only be used for "zero degree"/"no-offset" applications. See below



### Lens Shift Adjustable Range



#### Lens Shift Range for Desktop and Ceiling Mount Application

The diagram below shows the location of the image position in the lens. The lens can be shifted within the shaded area as shown using the normal projection position as a starting point.

**Note:** Lens shift feature is not available with NP11FL (rear lens). NP11FL should be used only for "zero degree" / "no-offset" applications.

#### Maximum Possible Range for NP12ZL, NP13ZL, NP14ZL, NP15ZL:

Towards ceiling/floor: 0.5H (0.6H for PA550W)

Away from ceiling/floor: 0.1H

Right: 0.3W

Left: 0.3W

(W: width of projected image, H: height of projected image)

**Note:** Horizontal lens shift range for the PA500U is 0.15W at a 200" projected image with NP13ZL

## PA500U/PA500X/PA550W/PA600X Installation Guide

Desktop and Ceiling Mount

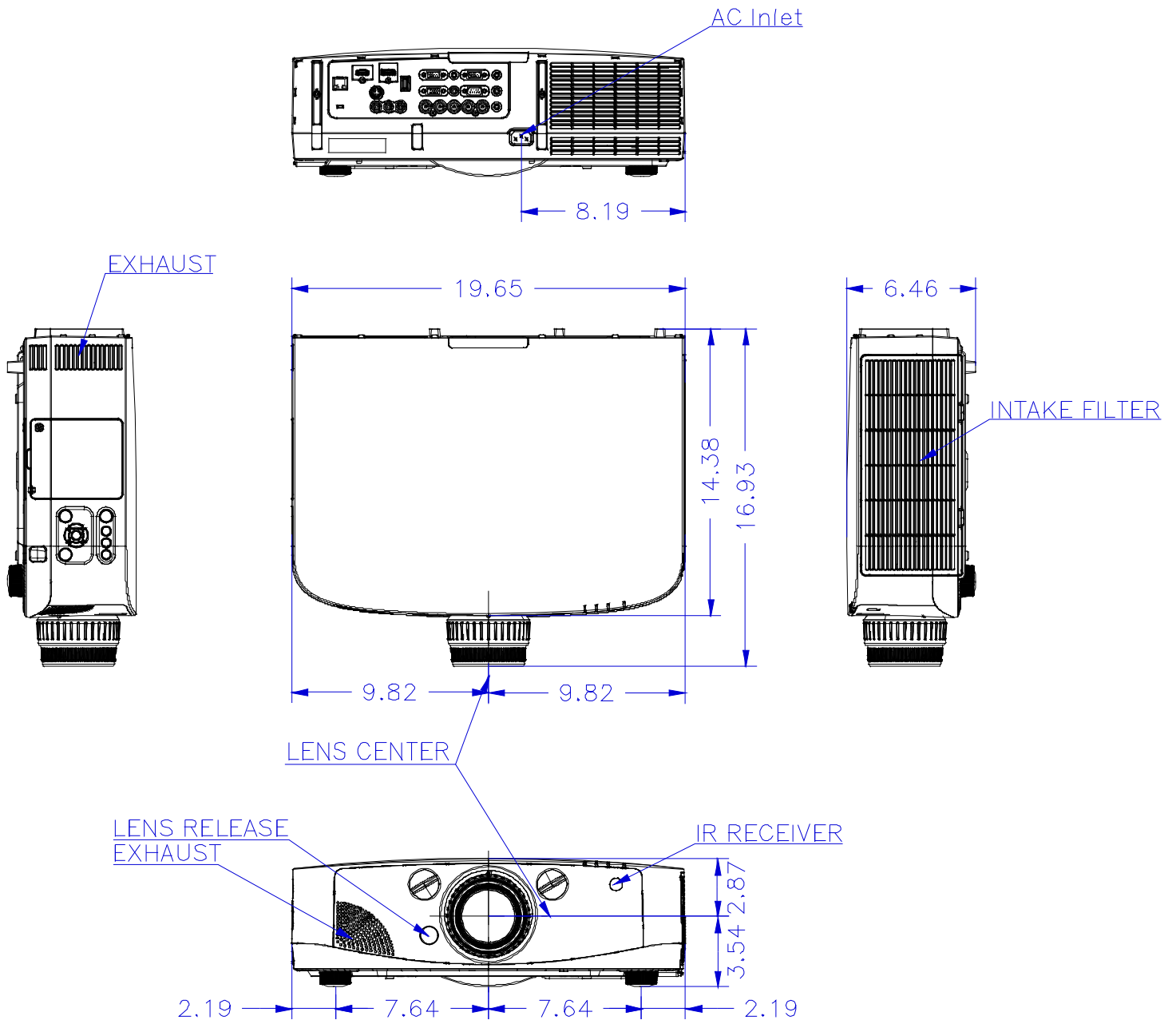
Rev 1.7

### Cabinet Dimensions

The following diagrams show the cabinet dimensions for the PA500U/PA500X/PA550W/PA600X.

Dimensions are in inches. For millimeters multiply by 25.4.

Note: Dimensions below shown with the NP13ZL lens

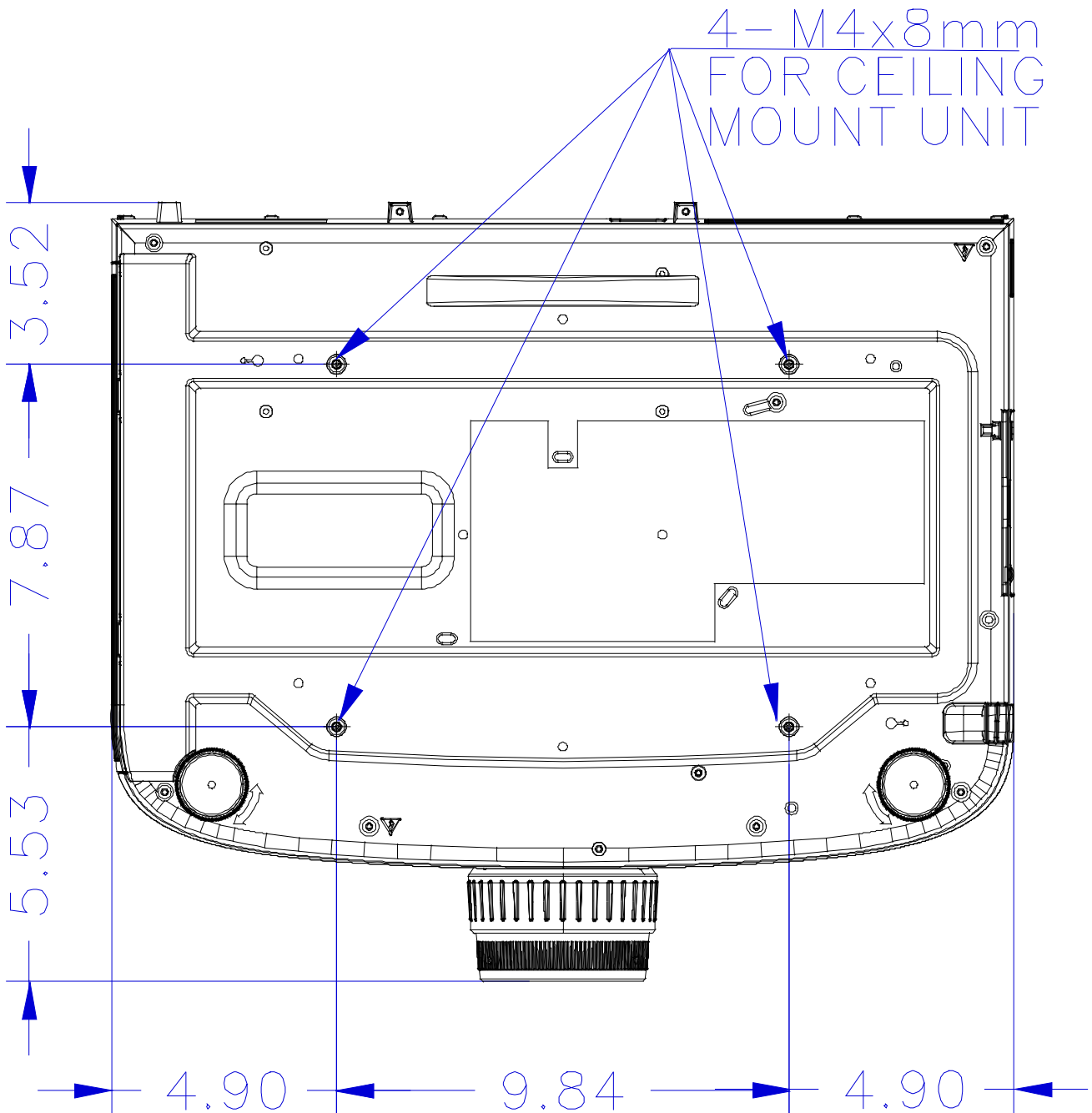


## PA500U/PA500X/PA550W/PA600X Installation Guide

Desktop and Ceiling Mount

Rev 1.7

### Cabinet Dimensions



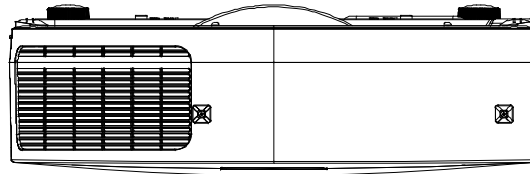


## PA500U/PA500X/PA550W/PA600X Installation Guide

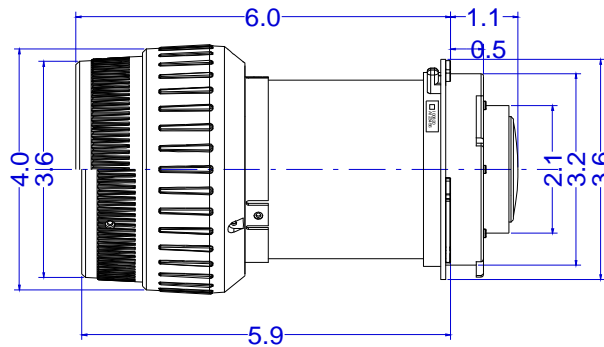
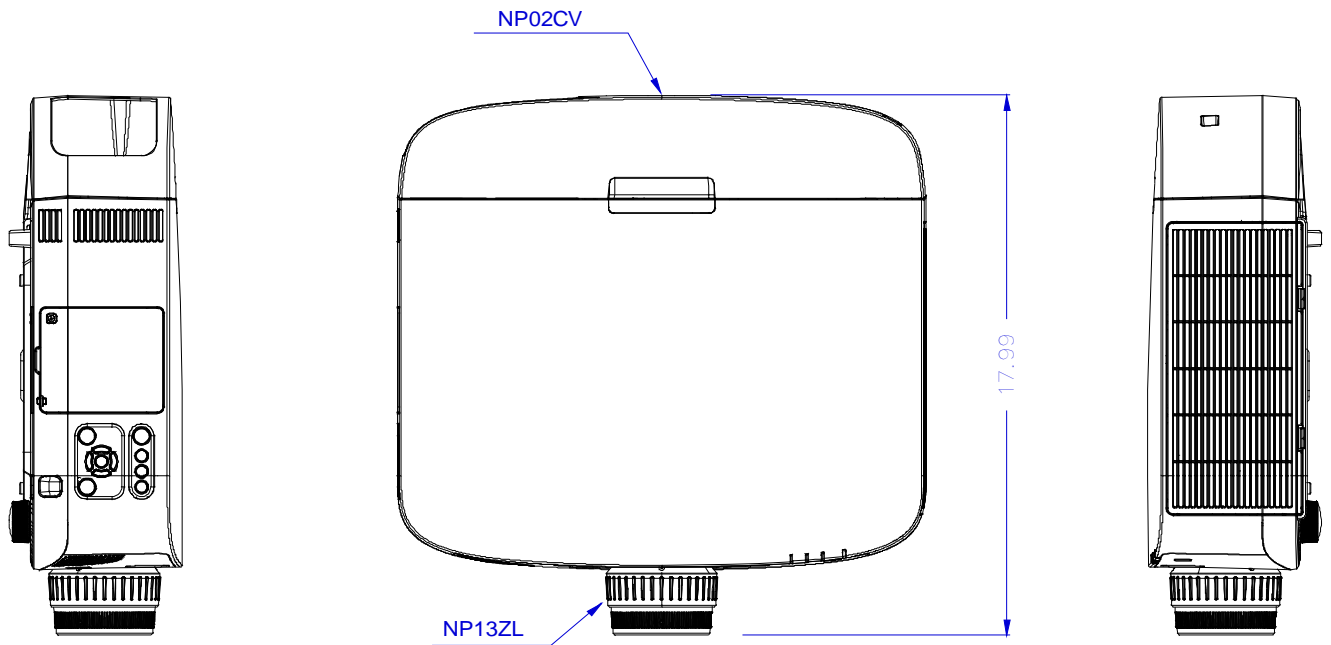
Desktop and Ceiling Mount

Rev 1.7

### Optional Terminal Cover (Part #: NP02CV)



NP13ZL & NP02CV

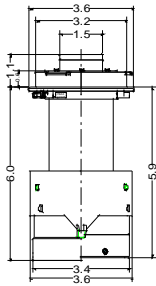


## PA500U/PA500X/PA550W/PA600X Installation Guide

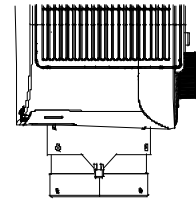
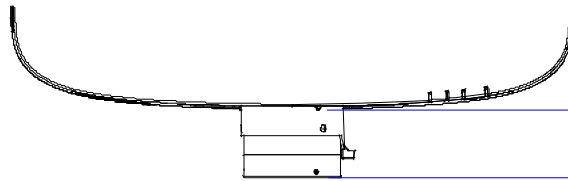
Desktop and Ceiling Mount

Rev 1.7

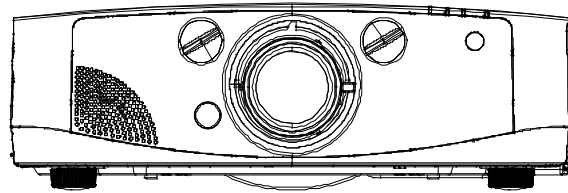
### Optional Lens Dimensions (NP11FL and NP12ZL)



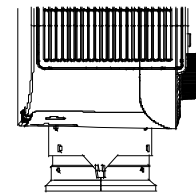
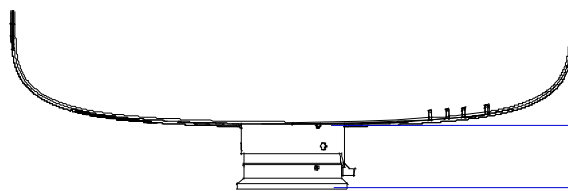
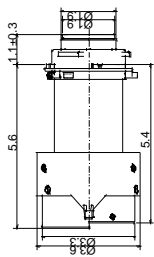
NP11FL



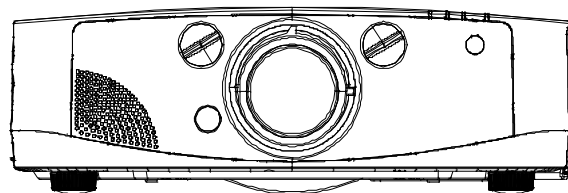
2.35 ~ 2.46



NP12ZL



2.13 ~ 2.18

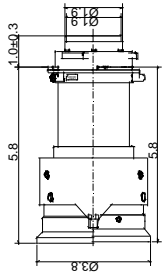


## PA500U/PA500X/PA550W/PA600X Installation Guide

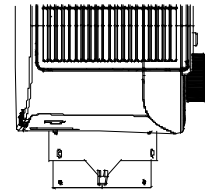
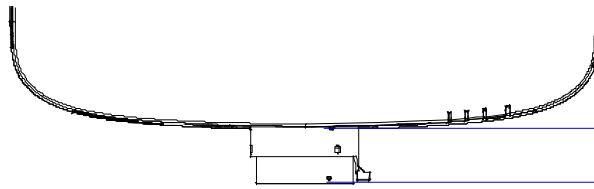
Desktop and Ceiling Mount

Rev 1.7

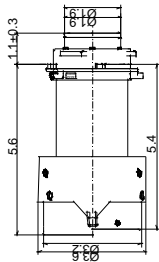
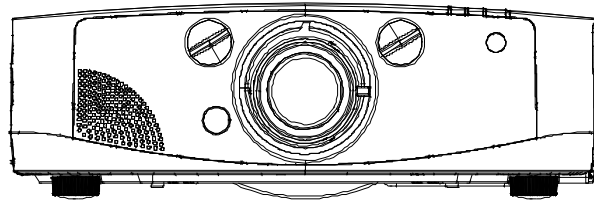
### Optional Lens Dimensions (NP14ZL and NP15ZL)



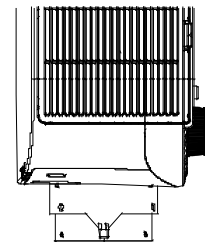
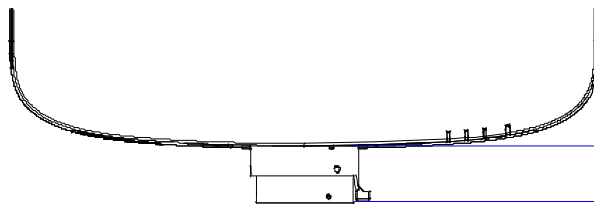
NP14ZL



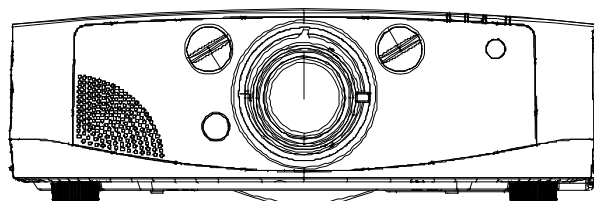
1.80 ~ 1.98



NP15ZL



1.77 ~ 1.95



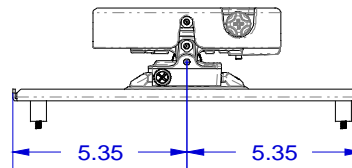
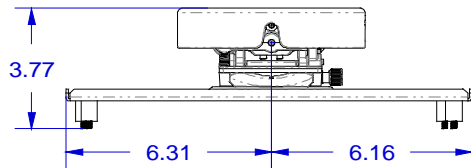
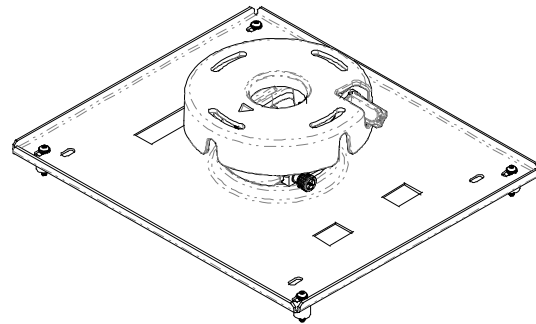
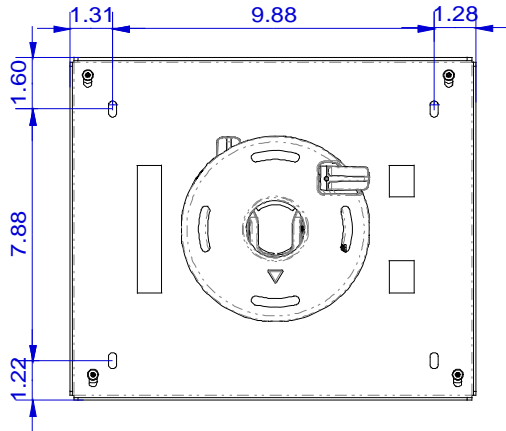
## PA500U/PA500X/PA550W/PA600X Installation Guide

Desktop and Ceiling Mount

Rev 1.7

### Optional Ceiling Mount Dimensions (Part #: NP3250CM)

The following diagrams show ceiling mount dimensions for the NP3250CM. Dimensions are in inches. For millimeters multiply by 25.4.



### Input Panel



## PA500U/PA500X/PA550W/PA600X Installation Guide

Desktop and Ceiling Mount

Rev 1.7

### PC Control Codes

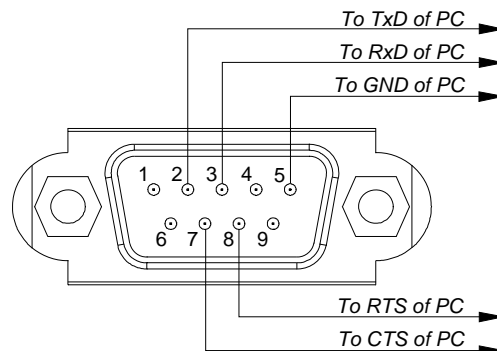
Function	Code Data										
POWER ON	02H	00H	00H	00H	00H	02H					
POWER OFF	02H	01H	00H	00H	00H	03H					
INPUT SELECT COMPUTER 1	02H	03H	00H	00H	02H	01H	01H	09H			
INPUT SELECT COMPUTER 2	02H	03H	00H	00H	02H	01H	02H	0AH			
INPUT SELECT COMPUTER 3	02H	03H	00H	00H	02H	01H	03H	0BH			
INPUT SELECT HDMI	02H	03H	00H	00H	02H	01H	1AH	22H			
INPUT SELECT DisplayPort	02H	03H	00H	00H	02H	01H	1BH	23H			
INPUT SELECT VIDEO	02H	03H	00H	00H	02H	01H	06H	0EH			
INPUT SELECT S-VIDEO	02H	03H	00H	00H	02H	01H	0BH	13H			
INPUT SELECT VIEWER	02H	03H	00H	00H	02H	01H	1FH	27H			
INPUT SELECT NETWORK	02H	03H	00H	00H	02H	01H	20H	28H			
PICTURE MUTE ON	02H	10H	00H	00H	00H	12H					
PICTURE MUTE OFF	02H	11H	00H	00H	00H	13H					
SOUND MUTE ON	02H	12H	00H	00H	00H	14H					
SOUND MUTE OFF	02H	13H	00H	00H	00H	15H					
ON SCREEN MUTE ON	02H	14H	00H	00H	00H	16H					
ON SCREEN MUTE OFF	02H	15H	00H	00H	00H	17H					
ASPECT RATIO (4:3 Screen)											
4:3	03H	10H	00H	00H	05H	18H	00H	00H	00H	00H	30H
LETTERBOX	03H	10H	00H	00H	05H	18H	00H	00H	01H	00H	31H
WIDESCREEN	03H	10H	00H	00H	05H	18H	00H	00H	02H	00H	32H
ZOOM	03H	10H	00H	00H	05H	18H	00H	00H	03H	00H	33H
ASPECT RATIO (RGB)											
4:3 WINDOW	03H	10H	00H	00H	05H	18H	00H	00H	00H	00H	30H
16:9	03H	10H	00H	00H	05H	18H	00H	00H	02H	00H	32H
5:4	03H	10H	00H	00H	05H	18H	00H	00H	0BH	00H	3BH
16:10	03H	10H	00H	00H	05H	18H	00H	00H	0CH	00H	3CH
15:9	03H	10H	00H	00H	05H	18H	00H	00H	0DH	00H	3DH
AUTO ADJUST	02H	0FH	00H	00H	02H	05H	00H	18H			

### Cable Connection

#### Communication Protocol:

- Baud Rate: 38400 bps (for cable lengths longer than 20', it is recommended changing to 9600 bps in setup menu)
- Data Length: 8 bits
- Parity: No Parity
- Stop Bit: One bit
- X on/off: None
- Communications: Full duplex

#### PC Control Connector (D-Sub 9P)



**NOTE 1 :** Pins 1, 4, 6, and 9 are used inside the projector.

**NOTE 2:** For long cable runs it is recommended to set communication speed within the projector to 9600 bps.

**NOTE 3:** Jumper "Request to Send" and "Clear to Send" together on both ends of the cable to simplify cable connection.